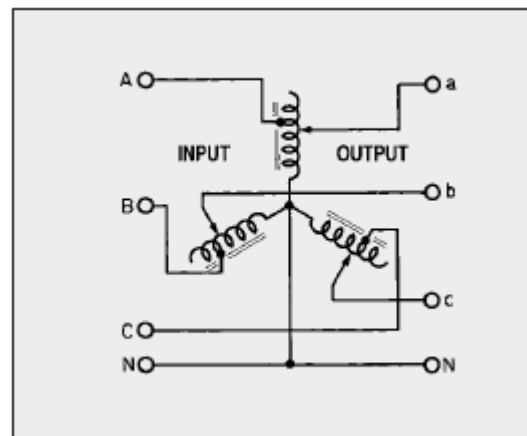
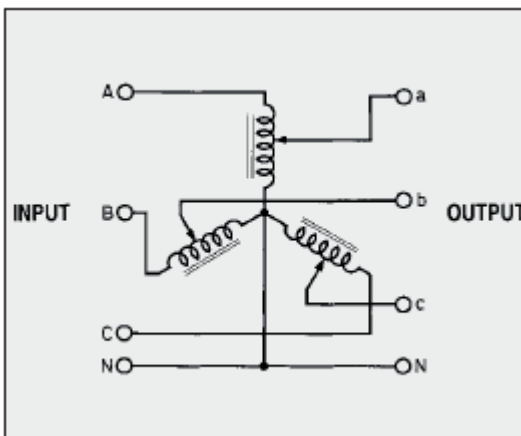
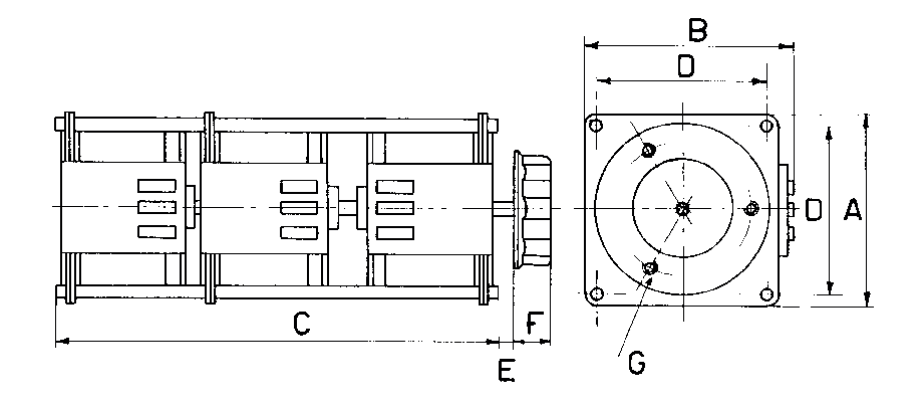




VOLTAGE REGULATOR MODEL TX

TECHNICAL DESIGN



GENERAL FEATURES

TYPE OF EL	INPUT TENSION V	OUTPUT TENSION V	CURRENT RATING A	NOMINAL POWER VA
TX 3	400	0 - 400	2	1380
	400	0 - 400	1	780
	415	0 - 415	1,3	900
TX 5	400	0 - 400	3,4	2350
	400	0 - 450	2	1560
	400	0 - 480	1,6	1350
	415	0 - 415	3,4	2400
TX 10	400	0 - 400	7,5	5190
	400	0 - 450	4	3100

SERIES TX	WEIGHT [Kg]	DIMENSIONS mm						
		A	B	C	D	E	F	G
TX - 3 NA/3	9	105	115	350	85	32	25	M 5x0,8
TX - 5 NA/3	13	125	140	385	100	32	25	M 5x0,8
TX - 10 NA/3	22	160	175	400	133	42	35	M 6x1