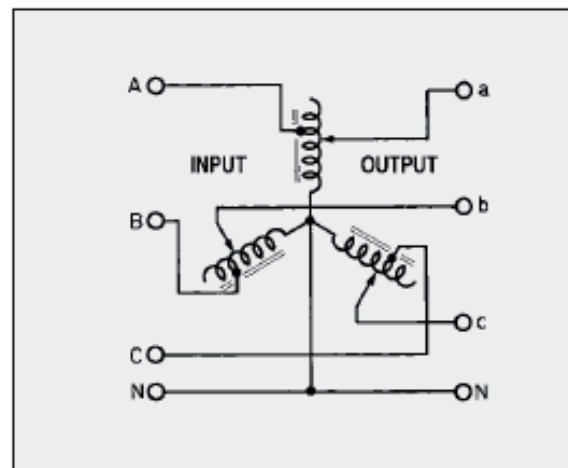
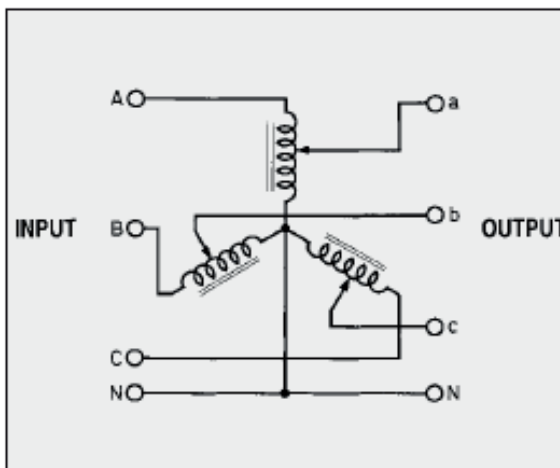
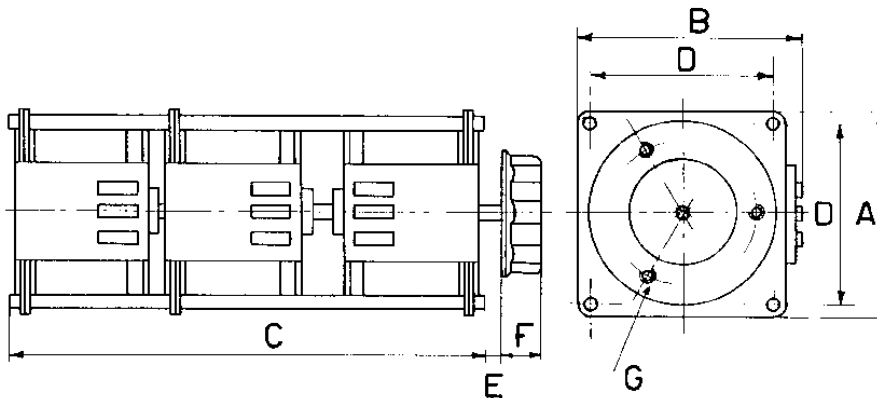


VOLTAGE REGULATORS MODEL TNA

TECHNICAL DESIGN



GENERAL FEATURES

MODEL T - 3			
RATED VOLTAGE		RATED CURRENT	RATED POWER
ENTRANCE	EXIT	EXIT	
V	V	A	VA
220	0 - 220	2,4	900
220	0 - 260	1,3	600
380	0 - 380	0,9	600
380	0 - 380	2	1320
380	0 - 420	1,5	1050
380	0 - 450	1	780
400	0 - 400	2	1350
400	0 - 430	1,5	1140
400	0 - 450	1	780

MODEL T - 5			
RATED VOLTAGE		RATED CURRENT	RATED POWER
ENTRANCE	EXIT	EXIT	
V	V	A	VA
220	0 - 220	5,6	2100
220	0 - 260	2	900
220	0 - 280	1,8	900
380	0 - 380	2,2	1500
380	0 - 380	4	2700
380	0 - 420	3	2160
380	0 - 450	2,5	1950
380	0 - 480	2	1680
400	0 - 400	3,6	2500
400	0 - 450	3	2350
400	0 - 480	2	1680

GENERAL FEATURES

MODEL T - 10			
RATED VOLTAGE		RATED CURRENT	RATED POWER
ENTRANCE	EXIT	EXIT	
V	V	A	KVA
220	0 - 220	9	3,3
220	0 - 260	4	1,8
220	0 - 280	3,7	1,8
380	0 - 380	4	2,7
380	0 - 380	9	5,9
380	0 - 420	5	3,6
380	0 - 450	5	3,9
380	0 - 480	4	3,3
400	0 - 400	9	6
400	0 - 450	5	3,9
400	0 - 480	4	3,3

MODEL T - 20			
RATED VOLTAGE		RATED CURRENT	RATED POWER
ENTRANCE	EXIT	EXIT	
V	V	A	KVA
220	0 - 220	19	7,2
220	0 - 260	13	6
220	0 - 280	12,5	6
380	0 - 380	10	6,6
380	0 - 380	15	9,9
380	0 - 420	7,5	5,4
380	0 - 420	10	7,2
380	0 - 450	7	5,4
380	0 - 480	6,5	5,4
400	0 - 400	14	9,6
400	0 - 450	10	7,8
400	0 - 480	7,5	6,3

GENERAL FEATURES

MODEL T - 40			
RATED VOLTAGE		RATED CURRENT	RATED POWER
ENTRANCE	EXIT	EXIT	
V	V	A	KVA
220	0 - 220	32	12
220	0 - 280	22	10,5
380	0 - 380	18	12
380	0 - 380	25	16,5
380	0 - 450	13,5	10,5
380	0 - 480	12,5	10,5
400	0 - 400	20	13,8
400	0 - 400	25	17
400	0 - 450	13,5	10,5
400	0 - 480	12,5	10,5

MODEL T - 70			
RATED VOLTAGE		RATED CURRENT	RATED POWER
ENTRANCE	EXIT	EXIT	
V	V	A	KVA
220	0 - 220	44	16,5
220	0 - 280	37	18
380	0 - 380	32	21
380	0 - 380	36	24
380	0 - 450	23	18
380	0 - 480	21	18
400	0 - 400	32	22
400	0 - 450	23	18
400	0 - 480	23	19,5

SERIES T - NA/3	WEIGHT [Kg]	DIMENSIONS mm						
		A	B	C	D	E	F	G
T - 3 NA/3	9	105	115	350	85	32	25	M 5x0,8
T - 5 NA/3	13	125	140	385	100	32	25	M 5x0,8
T - 10 NA/3	22	160	175	400	133	42	35	M 6x1
T - 20 NA/3	39	200	220	435	158	42	40	M 8x1,25
T - 40 NA/3	51	230	260	450	184	42	40	M 8x1,25
T - 70 NA/3	107	330	350	490	273	42	57	M10x1,5