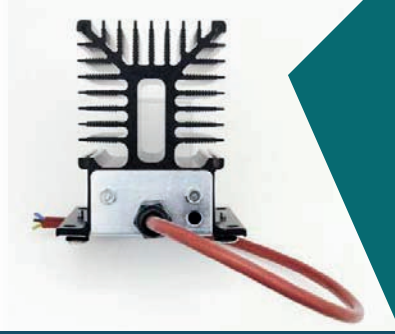
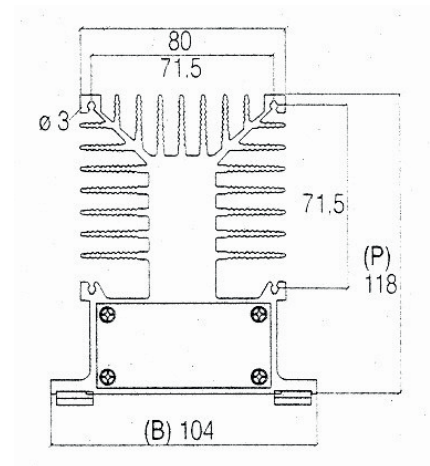
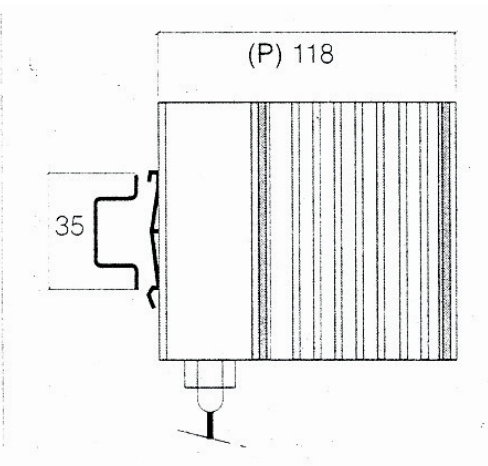
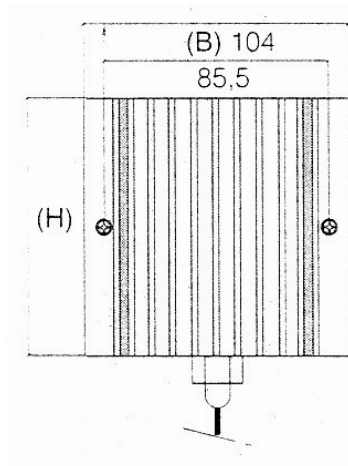
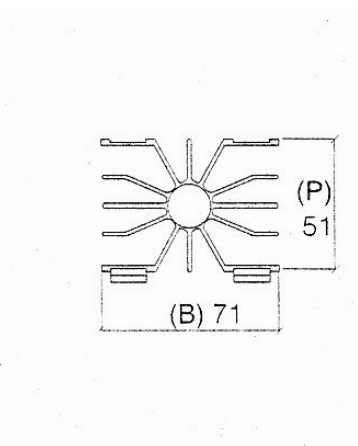
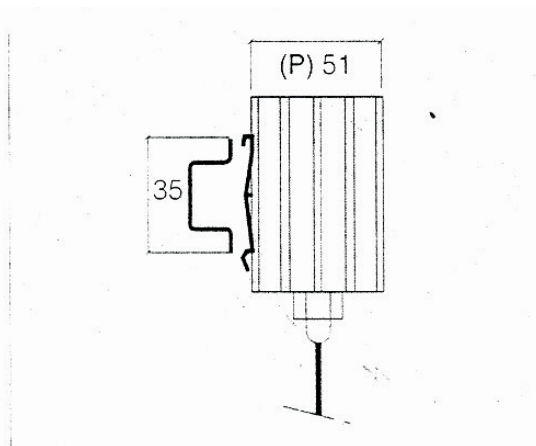
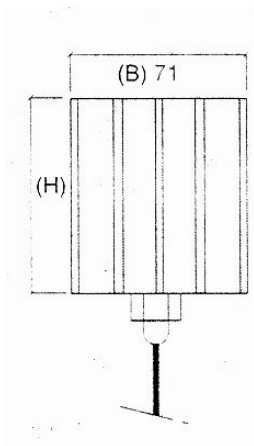


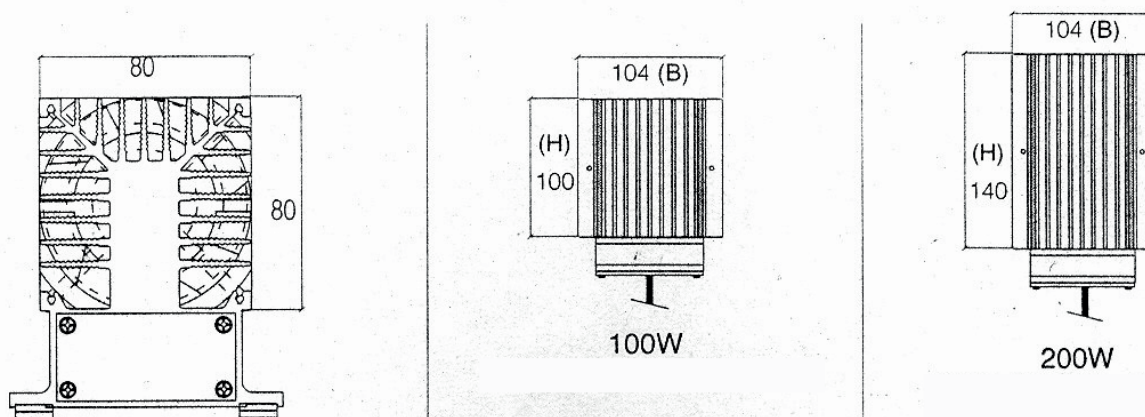


# HEATERS MODEL RACT

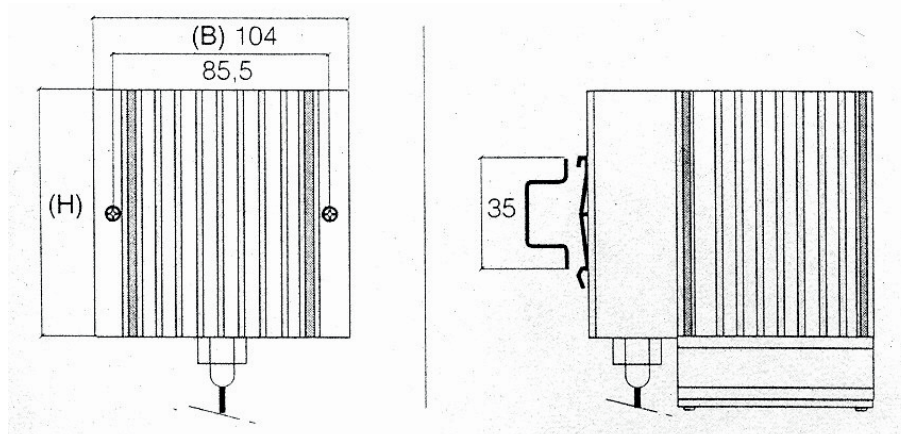


## TECHNICAL DESIGN





### Size of heaters with fan



## GENERAL FEATURES

The formation of condensation and the high percentage of moisture inside the electrical panels are responsible for the oxidation of the equipment and the wires housed inside them. This leads to the loss of insulation and dielectric strength, as well as the onset of chemical reactions such as corrosion and phenomena of electrolysis.

The heaters restore the optimal temperature for the operation of the components which reduces these phenomena to a minimum. The heat sinks cannot exceed a maximum temperature of 60°C which guarantees safety and the possibility of use in plastic containers as well. The heat sink is made of anodized aluminium with vertical cooling fins for optimal heat transmission. They are supplied complete with a cable having a 0.75 mm<sup>2</sup> section and 400 mm in length.

The heating element in the heaters is a PTC thermistor.

The heaters with fan comprise a heater, fan Q119, grill and screws.

## GENERAL FEATURES

TYPE		RACT 10	RACT 20	RACT 30	RACT 60	RACT 100	RACT 200
Nominal power P <sub>N</sub>		10 W	20 W	30 W	60 W	100 W	200 W
Supply Voltage (Vac-Vdc)		110 ÷ 240	110 ÷ 240	110 ÷ 240	110 ÷ 240	110 ÷ 240	110 ÷ 240
Protection degree		IP 55					
Protection degree with electric fan		IP 20					
Fixing		Rapid locking on shape DIN 35					
DIMENSIONS							
Length	"L" mm	60	80	100	150	100	140
Height	"H" mm	51	51	51	51	118	118
Depth	"P" mm	71	71	71	71	104	104
Length with electric fan Q80 (115V o 230V - 50/60 Hz - 21W - 200m <sup>3</sup> /h)	"L1" mm	-	-	-	-	130	170