

## POWER BRAKING RESISTORS MODEL ROPG

### GENERAL FEATURES

These are groups of power resistors of the ROP type, made up of stainless steel frames with resistive wire windings, assembled in packs with special braces and connected serially or in parallel (depending on the final ohm value).

These resistors are used in start up and adjustment of motors, in electric braking devices and in load systems for generating sets, testing benches, suppression of harmonics and grounding of the star centre.

The high value of power and the great amount of energy that can be dissipated are obtained by the important content of alloy in the winding and by the high impulse temperatures that can be supported without creating alterations or damages. The high level of insulation is obtained through the use of top quality ceramic materials.

### ELECTRICAL CHARACTERISTICS

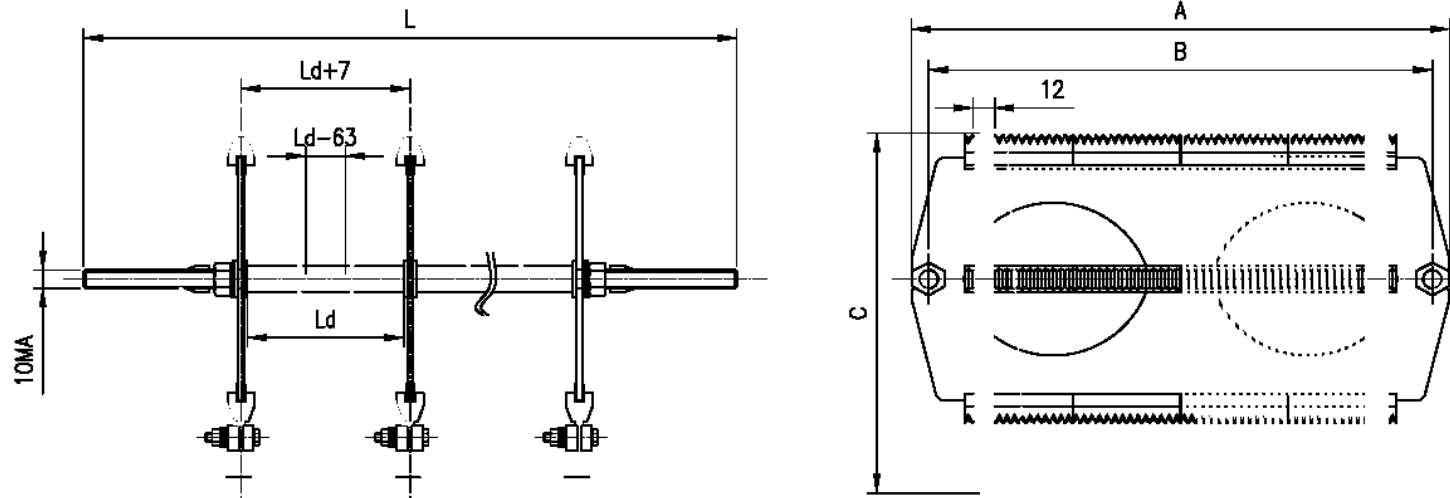
- Standard tolerance:  $\pm 5\%$
- Temperature coefficient  $\leq 100$  ppm/ $^{\circ}\text{C}$
- Maximum tension applicable 1000 V
- Level of Protection: IP00
- Connection directly on resistor terminals

The nominal  $P_n$  power is considered for resistors placed with the long side horizontally and the shorter side vertically, free in circulating air, with an environmental temperature of  $25^{\circ}\text{C}$ .

With forced ventilation the nominal power dissipation capacity of the resistor increases as a function of the air speed.

### OPTIONAL

Application of a protective thermostat  
Ohm values off standard compatibly with operation  
Intermediate sockets  
Off standard tolerances



TIPO		ROPG 240	ROPG 250	ROPG 340	ROPG 350	ROPG 440	ROPG 450	ROPG 540	ROPG 550	ROPG 640	ROPG 650
Power rating at 25°C		8000 W	10000 W	12000 W	15000 W	16000 W	20000 W	20000 W	25000 W	24000 W	30000 W
Absorbable Energy in 5" (MILR26)		360 KJ	360 KJ	540 KJ	540 KJ	540 KJ	540 KJ	540 KJ	540 KJ	540 KJ	540 KJ
Standard Ohmic range		1 ÷ 200	1 ÷ 200	1 ÷ 300	1 ÷ 300	1 ÷ 300	1 ÷ 300	1 ÷ 300	1 ÷ 300	1 ÷ 300	1 ÷ 300
Max. Working Voltage		1000 V	1000 V	1000 V	1000 V	1000 V	1000 V	1000 V	1000 V	1000 V	1000 V
Dielectric strength		3000 V	3000 V	3000 V	3000 V	3000 V	3000 V	3000 V	3000 V	3000 V	3000 V
Insulation resistance		≥100 Mohm	≥100 Mohm	≥100 Mohm	≥100 Mohm	≥100 Mohm	≥100 Mohm	≥100 Mohm	≥100 Mohm	≥100 Mohm	≥100 Mohm
Tolerance of resistance		± 10%	± 10%	± 10%	± 10%	± 10%	± 10%	± 10%	± 10%	± 10%	± 10%
DIMENSIONS (Ref.Drawing)		ROPG 240	ROPG 250	ROPG 340	ROPG 350	ROPG 440	ROPG 450	ROPG 540	ROPG 550	ROPG 640	ROPG 650
Dimension	"A" mm	540	664	540	664	540	664	540	664	540	664
Dimension	"B" mm	520	645	520	645	520	645	520	645	520	645
Dimension	"C" mm	200	200	200	200	200	200	200	200	200	200
Dimension	"Ld" mm	94	94	94	94	94	94	94	94	94	94
Dimension	"L" mm	370	370	370	370	480	480	580	580	680	680