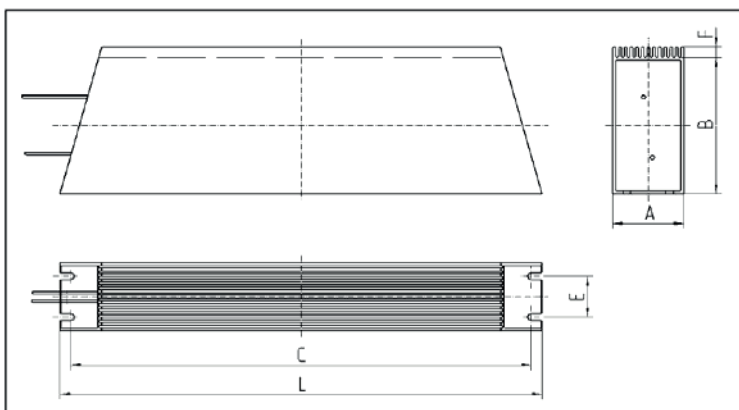
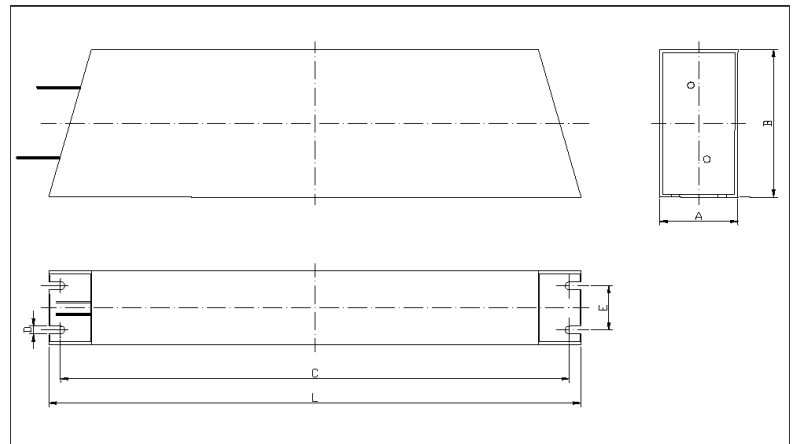




ALUMINIUM CASE BRAKING RESISTORS MODEL VHPR 800-2000

TECHNICAL DESIGN

VHPR 800 - 1500



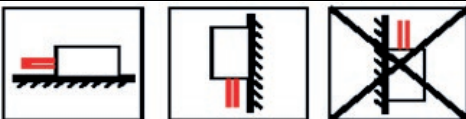
VHPR 2000

INDICATIONS REGARDING THE MAINTENANCE

To ensure the heat dissipation from the resistor body and from the leads, the resistor and the leads have to be free from impurities during operation. Due to the temperature development on the surface of the resistor and to avoid an inflammation, combustible substances are not allowed to be deposited on the resistor. The resistor has to be cleaned regularly with a dry dust cloth when the resistor is completely cooled down. The use of detergents is not allowed.

GENERAL FEATURES

The resistors of the type VHPR are high power resistors and have a high withstand strength. One of the remarkable features of the type series VHPR is an increased impulse solidity. Its compact form, as well as the execution of the elements of its leads, make the fixing and mounting of the resistor elements easier when using. The complete metal protection guarantees a protection against dirt accumulation and accidental contact with the hot parts.

TYPE		VHPR 800	VHPR 1000	VHPR 1200	VHPR 1500	VHPR 2000
Dimensions in mm	L ±2	340	400	460	550	700
	A ±1	50	50	50	50	50
	B ±1	100	100	100	100	100
	C ±2	325	385	445	535	685
	D ±0,2	5,3	5,3	5,3	5,3	5,3
	E ±1	30	30	30	30	30
	F	-	-	-	-	8
Mounting position						

TYPE		VHPR 800	VHPR 1000	VHPR 1200	VHPR 1500	VHPR 2000
Resistance range *) ²	Ω	0R9 - 65R	1R1 - 70R	1R6 - 95R	1R6 - 120R	2R1 - 160R
Resistance tolerances	%	J (5%), K (10%)				
Insulation resistance *) ¹	MΩ	≥ 20				
Operating voltage Ub	V _{AC} f=50Hz	250 - 1000				1000
Testing voltage Up	V _{AC} f=50Hz 1min.	4000				
Power rating P _N	W	750	800	1000	1100	1500
Protection level	-	IP 50				
Kind of terminal	-	Cavi				
Ability to tractive power of terminals	N	100				
Weight	kg (ca.)	2,9	3,4	3,9	4,7	6,0

*)¹ - Voltage = 1000 Vcc

*)² - other resistance values on requirement